

HEAVY DUTY
RECTANGULAR
CONNECTOR

KIT



Reliable Connectivity

High-Quality Construction

Kits, Receptacles and Cable Glands

Designed to reduce labor time & costs associated with the installation



Contents

| | | | | |
|------------------------------------|--|--------------------|--------------|-----------|
| Rectangular Connector Kits | Part Number Matrix | | 1 | |
| | Metal Housing | 3 Pole | 2 | |
| | | 4 Pole | 2 | |
| | | 6 Pole | 3 | |
| | | 10 Pole | 4 ~ 5 | |
| | | 16 Pole | 6 ~ 7 | |
| | Plastic Housing | 24 Pole | 8 ~ 9 | |
| | | 3 Pole | 10 | |
| | | 4 Pole | 10 | |
| | | 6 Pole | 11 | |
| 10 Pole | | 12 | | |
| | 16 Pole | 13 | | |
| | 24 Pole | 14 | | |
| | | | | |
| | Rectangular Connector Receptacles | Part Number Matrix | | 15 |
| | | Metal Housing | 6 Pole | 16 |
| 10 Pole | | | 16 | |
| 16 Pole | | | 17 | |
| 24 Pole | 17 | | | |
| | | | | |
| Cable Glands Metric Threads | Brass | | 18 | |
| | Plastic | | 19 | |
| | Dual Grommet Plastic | | 20 | |
| | EMI Shielding Brass | | 21 | |
| | Explosion-Proof Brass | Brass | 22 | |
| | | Plastic | 23 | |
| | Accessories | Nuts | 24 | |



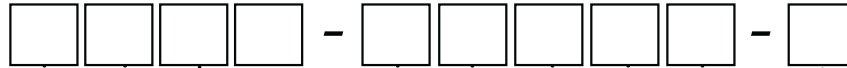


Rectangular Connector Kits

Rectangular Connector Kits Part Number Matrix



Not all options available with all components - Please consult factory



Entry Threading Type

| | | |
|-----|------------------------|-----------|
| C | = PG Threading | |
| M | = Metric Threading | Standard |
| T | = NPT Threading | |
| Z | = PG Threading | |
| ZM | = Metric Threading | CZ Series |
| ZT | = NPT Threading | |
| K | = PG Threading | |
| KA | = PG Threading R/A | |
| KM | = Metric Threading | CK Series |
| KMA | = Metric Threading R/A | |
| KT | = NPT Threading | |
| KTA | = NPT Threading R/A | |

Termination Type

| | |
|----|---------------------------|
| N | = Screw Terminal |
| Q | = Squich Cage Clamp |
| S | = Standard Cage Clamp |
| SS | = High-Density Cage Clamp |
| C* | = Crimp |
| CC | = High-Density Crimp |

* Crimp pins included. 2 pins more than the inserts, please consult the factory.

Lever Type

| | |
|---|----------------|
| L | = Single Lever |
| D | = Double Lever |
| C | = Center Lever |

Housing Type

| | |
|---|----------------------------------|
| S | = Standard Gray Housing |
| Z | = V-Type Latch on Gray Housing |
| T | = Thermoplastic Housing |
| W | = Aggressive Environment Housing |
| R | = Hi-Temp Housing |
| E | = EMC Housing |

Number of Conductors

- 3
- 4
- 6
- 10
- 16
- 24

More pole configurations are available, please consult the factory.

Wire AWG

| | |
|-----|-------------|
| 0.3 | = 26-22 AWG |
| 0.5 | = 20 AWG |
| 1.0 | = 18 AWG |
| 1.5 | = 16 AWG |
| 2.5 | = 14 AWG |
| 4.0 | = 12 AWG |
| 6.0 | = 10 AWG |

Hood Entry Threads

| Metric Threads | PG Threads | NPT Threads |
|----------------|-------------|----------------|
| 16 = M16 | 11 = PG11 | 38 = 3/8" NPT |
| 20 = M20 | 13 = PG13.5 | 12 = 1/2" NPT |
| 25 = M25 | 16 = PG16 | 34 = 3/4" NPT |
| 32 = M32 | 21 = PG21 | 10 = 1.0" NPT |
| 40 = M40 | 29 = PG29 | 14 = 1.25" NPT |
| | 36 = PG36 | 15 = 1.5" NPT |
| | 42 = PG42 | |
| | 48 = PG48 | |

Hood Entry Type

| | |
|----|--|
| O | = Side Entry Hood |
| OA | = Side Entry Hood, High Construction |
| V | = Top Entry Hood |
| VA | = Top Entry Hood, High Construction |
| G | = Top Entry Hood With Latch |
| GA | = Top Entry Hood With Latch, High Construction |

Number of Entries

| | |
|-------|---------------------------------------|
| Blank | = One Entry |
| 2 | = Surface Mount Base With Two Entries |

Mount Base Type

| | |
|-----|---|
| I | = Bulkhead Mount Base |
| I7 | = Bulkhead Mount Base (C7I) |
| ILS | = Bulkhead Mount Base, With Cover |
| P | = Surface Mount Base |
| P7 | = Surface Mount Base (C7P) |
| PS | = Surface Mount Base, With Cover |
| PA | = Surface Mount Base, High Construction |
| PAS | = Surface Mount Base, High Construction, With Cover |
| V | = Hood* |
| VA | = Hood, High Construction* |

* Next digit will automatically be a G to do an in-line connection



Rectangular Connector Kits

3 & 4 Pole Kits, Metal Housing

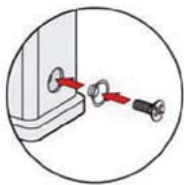


Size 21.21 | 3 & 4 Pole | 600V, 10A | Metal Housing | Single Lever | IP66/67 Rating



| Screw Terminal Inserts, Single Lever | | | | | | | |
|---|--------------|------------|---------------|----------|-------------|---------------|----------|
| # of Poles | Kit Part # | Entry Type | Entry Threads | Hood | Male Insert | Female Insert | Base |
| 3 + ⊕ | KMNLS-03IV20 | Top Entry | M20 | MKA-V20 | CKM-03 | CKF-03 | CKAX-03I |
| | KMNLS-03IO20 | Side Entry | M20 | MKA-VA20 | CKM-03 | CKF-03 | CKAX-03I |
| 4 + ⊕ | KMNLS-04IV20 | Top Entry | M20 | MKA-V20 | CKM-04 | CKF-04 | CKAX-03I |
| | KMNLS-04IO20 | Side Entry | M20 | MKA-VA20 | CKM-04 | CKF-04 | CKAX-03I |
| Squich (Tool-less Spring) Inserts, Single Lever | | | | | | | |
| 3 + ⊕ | KMQLS-03IV20 | Top Entry | M20 | MKA-V20 | CKSHM-03 | CKSHF-03 | CKAX-03I |
| | KMQLS-03IO20 | Side Entry | M20 | MKA-VA20 | CKSHM-03 | CKSHF-03 | CKAX-03I |
| 4 + ⊕ | KMQLS-04IV20 | Top Entry | M20 | MKA-V20 | CKSHM-04 | CKSHF-04 | CKAX-03I |
| | KMQLS-04IO20 | Side Entry | M20 | MKA-VA20 | CKSHM-04 | CKSHF-04 | CKAX-03I |

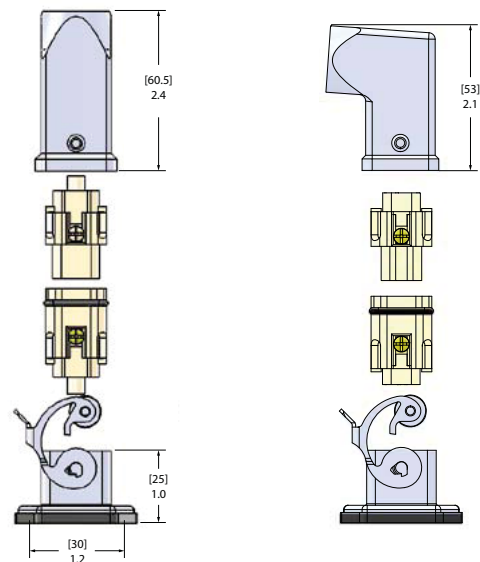
Each kit includes the base housing, male insert, female insert and hood. Hoods shown have M20 metric entry. PG & NPT threads also available. Cable gland sold separately. The 3 and 4 pole kits also include an optional washer kit as described below.



To obtain the protection rating IP66/IP67 a kit is provided that includes a screw and washer. The fixing screws supplied with the inserts must be removed and discarded and the new screw and washer must be installed (see illustration).

Specifications:

- AWG: 26 - 14 AWG
- Lever Material: Stainless Steel
- Other Approvals: NEMA 4/4X/12
- IP rating: IP 66/67 (IP 44 without optional washer)



Top Entry

Side Entry



Rectangular Connector Kits

6 Pole Kits, Metal Housing



Size 44.27 | 6 Pole | 600V, 16A | Metal Housing | Single Lever | IP66 Rating

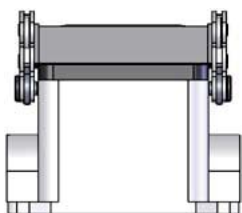


| Screw Terminal Inserts, Single Lever | | | | | | | |
|---|--------------|------------|---------------|-----------|-------------|---------------|---------|
| # of Poles | Kit Part # | Entry Type | Entry Threads | Hood | Male Insert | Female Insert | Base |
| 6 | MNLS-06IV20 | Top Entry | M20 | MHV-06L20 | CNEM-06T | CNEF-06T | CHI-06L |
| | MNLS-06IV25 | | M25 | MHV-06L25 | | | |
| | MNLS-06IVA32 | | M32 | MAV-06L32 | | | |
| | MNLS-06IO20 | Side Entry | M20 | MHO-06L20 | | | |
| | MNLS-06IO25 | | M25 | MHO-06L25 | | | |
| | MNLS-06IOA32 | | M32 | MAO-06L32 | | | |
| Squich (Tool-less Spring) Inserts, Single Lever | | | | | | | |
| 6 | MQLS-06IV20 | Top Entry | M20 | MHV-06L20 | CSHM-06 | CSHF-06 | CHI-06L |
| | MQLS-06IV25 | | M25 | MHV-06L25 | | | |
| | MQLS-06IVA32 | | M32 | MAV-06L32 | | | |
| | MQLS-06IO20 | Side Entry | M20 | MHO-06L20 | | | |
| | MQLS-06IO25 | | M25 | MHO-06L25 | | | |
| | MQLS-06IOA32 | | M32 | MAO-06L32 | | | |

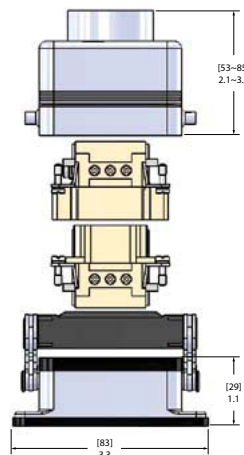
Each kit includes the base housing, male insert, female insert and hood. Hoods shown have metric entry (M20, M25, M32). PG & NPT threads also available. Cable gland sold separately.

Specifications:

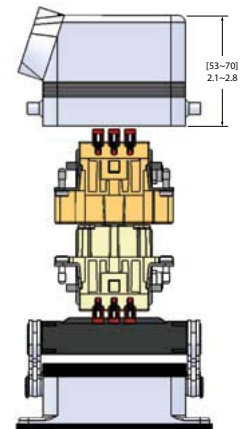
- Connections: Screw Terminal
- AWG: 20 - 12 AWG
- Connections: Screw Terminal
- AWG: 26 - 14 AWG
- Other Approvals: NEMA 4/4X/12



Surface Mount Base
For surface mount base replace 'I' with 'P'.
(e.g. MNLS-06IV20 becomes MNLS-06PV20)



**Top Entry
Screw Terminal Inserts**



**Side Entry
Squich Inserts**



Rectangular Connector Kits

10 Pole Kits, Metal Housing



Size 57.27 | 10 Pole | 600V, 16A | Metal Housing | Single Lever | IP66 Rating

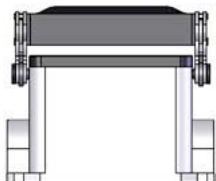


| Screw Terminal Inserts, Single Lever | | | | | | | |
|---|--------------|------------|---------------|-----------|-------------|---------------|---------|
| # of Poles | Kit Part # | Entry Type | Entry Threads | Hood | Male Insert | Female Insert | Base |
| 10 | MNLS-10IV20 | Top Entry | M20 | MHV-10L20 | CNEM-10T | CNEF-10T | CHI-10L |
| | MNLS-10IV25 | | M25 | MHV-10L25 | | | |
| | MNLS-10IVA32 | | M32 | MAV-10L32 | | | |
| | MNLS-10IO20 | Side Entry | M20 | MHO-10L20 | | | |
| | MNLS-10IO25 | | M25 | MHO-10L25 | | | |
| | MNLS-10IOA32 | | M32 | MAO-10L32 | | | |
| Squich (Tool-less Spring) Inserts, Single Lever | | | | | | | |
| 10 | MQLS-10IV20 | Top Entry | M20 | MHV-10L20 | CSHM-10 | CSHF-10 | CHI-10L |
| | MQLS-10IV25 | | M25 | MHV-10L25 | | | |
| | MQLS-10IVA32 | | M32 | MAV-10L32 | | | |
| | MQLS-10IO20 | Side Entry | M20 | MHO-10L20 | | | |
| | MQLS-10IO25 | | M25 | MHO-10L25 | | | |
| | MQLS-10IOA32 | | M32 | MAO-10L32 | | | |

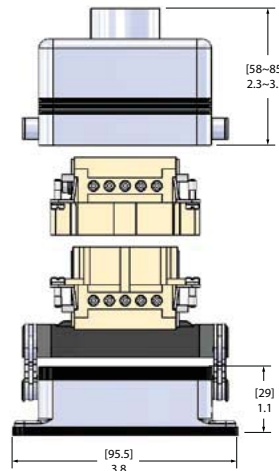
Each kit includes the base housing, male insert, female insert and hood. Hoods shown have metric entry (M20, M25, M32). PG & NPT threads also available. Cable gland sold separately.

Specifications:

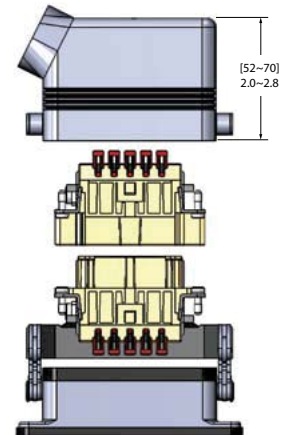
- Connections: Screw Terminal
- AWG: 20 - 12 AWG
- Connections: Squich (Tool-less Spring)
- AWG: 26 - 14 AWG
- Other Approvals: NEMA 4/4X/12



Surface Mount Base
 For surface mount base replace 'I' with 'P'.
 (e.g. MNLS-10IV20 becomes MNLS-10PV20)



**Top Entry
Screw Terminal Inserts**



**Side Entry
Squich Inserts**



Rectangular Connector Kits

10 Pole Kits, Metal Housing



Size 57.27 | 10 Pole | 600V, 16A | Metal Housing | Double Lever | IP66 Rating



| Screw Terminal Inserts, Double Lever | | | | | | | |
|---|--------------|------------|---------------|-----------|-------------|---------------|--------|
| # of Poles | Kit Part # | Entry Type | Entry Threads | Hood | Male Insert | Female Insert | Base |
| 10 | MNDS-10IV20 | Top Entry | M20 | MHV-10.20 | CNEM-10T | CNEF-10T | CHI-10 |
| | MNDS-10IV25 | | M25 | MHV-10.25 | | | |
| | MNDS-10IVA32 | | M32 | MAV-10.32 | | | |
| | MNDS-10IO20 | Side Entry | M20 | MHO-10.20 | | | |
| | MNDS-10IO25 | | M25 | MHO-10.25 | | | |
| | MNDS-10IOA32 | | M32 | MAO-10.32 | | | |
| Squich (Tool-less Spring) Inserts, Double Lever | | | | | | | |
| 10 | MQDS-10IO20 | Top Entry | M20 | MHV-10.20 | CSHM-10 | CSHF-10 | CHI-10 |
| | MQDS-10IO25 | | M25 | MHV-10.25 | | | |
| | MQDS-10IOA32 | | M32 | MAV-10.32 | | | |
| | MQDS-10IV20 | Side Entry | M20 | MHO-10.20 | | | |
| | MQDS-10IV25 | | M25 | MHO-10.25 | | | |
| | MQDS-10IVA32 | | M32 | MAO-10.32 | | | |

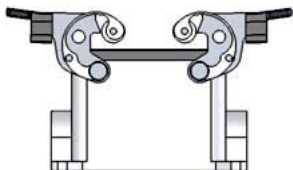
Each kit includes the base housing, male insert, female insert and hood. Hoods shown have metric entry (M20, M25, M32). PG & NPT threads also available. Cable gland sold separately.

Specifications:

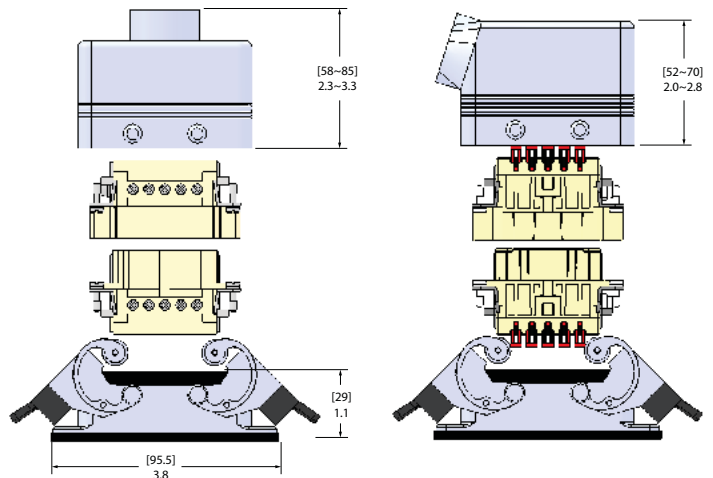
Connections: Screw Terminal
AWG: 20 - 12 AWG

Connections: Squich (Tool-less Spring)
AWG: 26 - 14 AWG

Other Approvals: NEMA 4/4X/12



Surface Mount Base
For surface mount base replace 'I' with 'P'.
(e.g. MNDS-10IV20 becomes MNDS-10PV20)



**Top Entry
Screw Terminal Inserts**

**Side Entry
Squich Inserts**



Rectangular Connector Kits

16 Pole Kits, Metal Housing



Size 77.27 | 16 Pole | 600V, 16A | Metal Housing | Single Lever | IP66 Rating

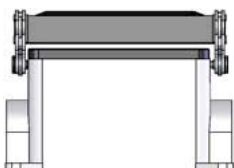


| Screw Terminal Inserts, Single Lever | | | | | | | |
|---|--------------|------------|---------------|-----------|-------------|---------------|---------|
| # of Poles | Kit Part # | Entry Type | Entry Threads | Hood | Male Insert | Female Insert | Base |
| 16 | MNLS-16IV25 | Top Entry | M25 | MHV-16L25 | CNEM-16T | CNEF-16T | CHI-16L |
| | MNLS-16IV32 | | M32 | MHV-16L32 | | | |
| | MNLS-16IVA40 | | M40 | MAV-16L40 | | | |
| | MNLS-16IO25 | Side Entry | M25 | MHO-16L25 | | | |
| | MNLS-16IO32 | | M32 | MHO-16L32 | | | |
| | MNLS-16IOA40 | | M40 | MAO-16L40 | | | |
| Squich (Tool-less Spring) Inserts, Single Lever | | | | | | | |
| 16 | MQLS-16IV25 | Top Entry | M25 | MHV-16L25 | CSHM-16 | CSHF-16 | CHI-16L |
| | MQLS-16IV32 | | M32 | MHV-16L32 | | | |
| | MQLS-16IVA40 | | M40 | MAV-16L40 | | | |
| | MQLS-16IO25 | Side Entry | M25 | MHO-16L25 | | | |
| | MQLS-16IO32 | | M32 | MHO-16L32 | | | |
| | MQLS-16IOA40 | | M40 | MAO-16L40 | | | |

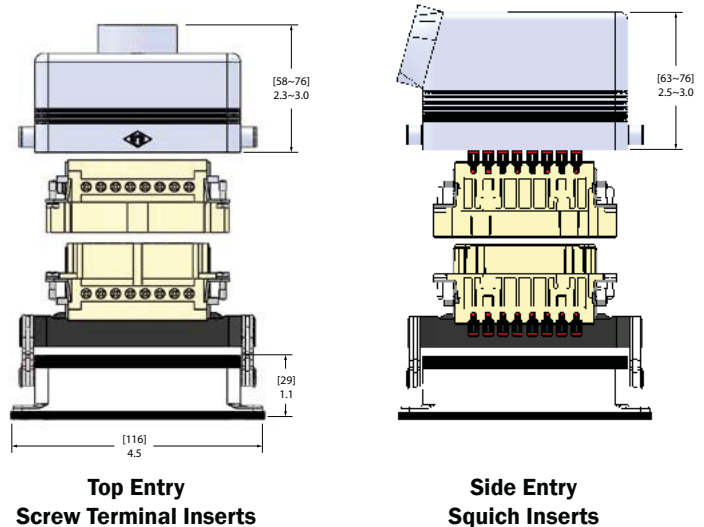
Each kit includes the base housing, male insert, female insert and hood. Hoods shown have metric entry (M25, M32, M40). PG & NPT threads also available. Cable gland sold separately.

Specifications:

- Connections: Screw Terminal
- AWG: 20 - 12 AWG
- Connections: Squich (Tool-less Spring)
- AWG: 26 - 14 AWG
- Other Approvals: NEMA 4/4X/12



Surface Mount Base
 For surface mount base replace 'I' with 'P'.
 (e.g. MNLS-16IV25 becomes MNLS-16PV25)





Rectangular Connector Kits

16 Pole Kits, Metal Housing



Size 77.27 | 16 Pole | 600V, 16A | Metal Housing | Double Lever | IP66 Rating

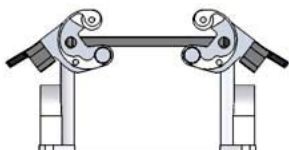


| Screw Terminal Inserts, Double Lever | | | | | | | |
|---|--------------|------------|---------------|-----------|-------------|---------------|--------|
| # of Poles | Kit Part # | Entry Type | Entry Threads | Hood | Male Insert | Female Insert | Base |
| 16 | MNDS-16IV25 | Top Entry | M25 | MHV-16.25 | CNEM-16T | CNEF-16T | CHI-16 |
| | MNDS-16IV32 | | M32 | MHV-16.32 | | | |
| | MNDS-16IVA40 | | M40 | MAV-16.40 | | | |
| | MNDS-16IO25 | Side Entry | M25 | MHO-16.25 | | | |
| | MNDS-16IO32 | | M32 | MHO-16.32 | | | |
| | MNDS-16IOA40 | | M40 | MAO-16.40 | | | |
| Squich (Tool-less Spring) Inserts, Double Lever | | | | | | | |
| 16 | MQDS-16IV25 | Top Entry | M25 | MHV-16.25 | CSHM-16 | CSHF-16 | CHI-16 |
| | MQDS-16IV32 | | M32 | MHV-16.32 | | | |
| | MQDS-16IVA40 | | M40 | MAV-16.40 | | | |
| | MQDS-16IO25 | Side Entry | M25 | MHO-16.25 | | | |
| | MQDS-16IO32 | | M32 | MHO-16.32 | | | |
| | MQDS-16IOA40 | | M40 | MAO-16.40 | | | |

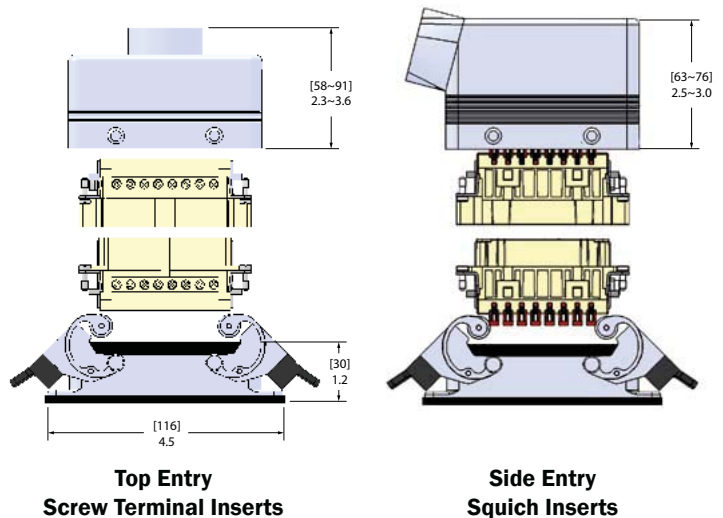
Each kit includes the base housing, male insert, female insert and hood. Hoods shown have metric entry (M25, M32, M40). PG & NPT threads also available. Cable gland sold separately.

Specifications:

- Connections: Screw Terminal
- AWG: 20 - 12 AWG
- Connections: Squich (Tool-less Spring)
- AWG: 26 - 14 AWG
- Other Approvals: NEMA 4/4X/12



Surface Mount Base
 For surface mount base replace 'I' with 'P'.
 (e.g. MNDS-16IV25 becomes MNDS-16PV25)





Rectangular Connector Kits

24 Pole Kits, Metal Housing



Size 104.27 | 24 Pole | 600V, 16A | Metal Housing | Single Lever | IP66 Rating



| Screw Terminal Inserts, Single Lever | | | | | | | |
|---|--------------|------------|---------------|-----------|-------------|---------------|---------|
| # of Poles | Kit Part # | Entry Type | Entry Threads | Hood | Male Insert | Female Insert | Base |
| 24 | MNLS-24IV25 | Top Entry | M25 | MHV-24L25 | CNEM-24T | CNEF-24T | CHI-24L |
| | MNLS-24IV32 | | M32 | MHV-24L32 | | | |
| | MNLS-24IVA40 | | M40 | MAV-24L40 | | | |
| | MNLS-24IO25 | Side Entry | M25 | MHO-24L25 | | | |
| | MNLS-24IO32 | | M32 | MHO-24L32 | | | |
| | MNLS-24IOA40 | | M40 | MAO-24L40 | | | |
| Squich (Tool-less Spring) Inserts, Single Lever | | | | | | | |
| 24 | MQLS-24IV25 | Top Entry | M25 | MHV-24L25 | CSHM-24 | CSHF-24 | CHI-24L |
| | MQLS-24IV32 | | M32 | MHV-24L32 | | | |
| | MQLS-24IVA40 | | M40 | MAV-24L40 | | | |
| | MQLS-24IO25 | Side Entry | M25 | MHO-24L25 | | | |
| | MQLS-24IO32 | | M32 | MHO-24L32 | | | |
| | MQLS-24IOA40 | | M40 | MAO-24L40 | | | |

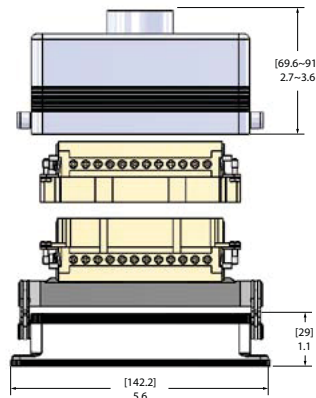
Each kit includes the base housing, male insert, female insert and hood. Hoods shown have metric entry (M25, M32, M40). PG & NPT threads also available. Cable gland sold separately.

Specifications:

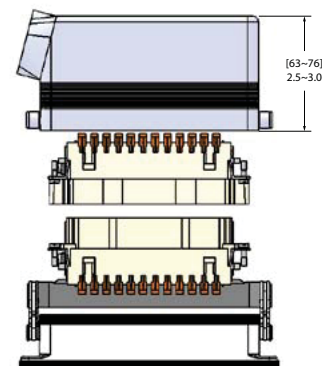
- Connections: Screw Terminal
- AWG: 20 - 12 AWG
- Connections: Squich (Tool-less Spring)
- AWG: 26 - 14 AWG
- Other Approvals: NEMA 4/4X/12



Surface Mount Base
For surface mount base replace 'I' with 'P'.
(e.g. MNLS-24IV25 becomes MNLS-24PV25)



**Top Entry
Screw Terminal Inserts**



**Side Entry
Squich Inserts**



Rectangular Connector Kits

24 Pole Kits, Metal Housing



Size 104.27 | 24 Pole | 600V, 16A | Metal Housing | Double Lever | IP66 Rating

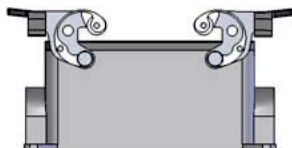


| Screw Terminal Inserts, Double Lever | | | | | | | |
|---|--------------|------------|---------------|-----------|-------------|---------------|--------|
| # of Poles | Kit Part # | Entry Type | Entry Threads | Hood | Male Insert | Female Insert | Base |
| 24 | MNDS-24IV25 | Top Entry | M25 | MHV-24.25 | CNEM-24T | CNEF-24T | CHI-24 |
| | MNDS-24IV32 | | M32 | MHV-24.32 | | | |
| | MNDS-24IVA40 | | M40 | MAV-24.40 | | | |
| | MNDS-24IO25 | Side Entry | M25 | MHO-24.25 | | | |
| | MNDS-24IO32 | | M32 | MHO-24.32 | | | |
| | MNDS-24IOA40 | | M40 | MAO-24.40 | | | |
| Squich (Tool-less Spring) Inserts, Double Lever | | | | | | | |
| 24 | MQDS-24IV25 | Top Entry | M25 | MHV-24.25 | CSHM-24 | CSHF-24 | CHI-24 |
| | MQDS-24IV32 | | M32 | MHV-24.32 | | | |
| | MQDS-24IVA40 | | M40 | MAV-24.40 | | | |
| | MQDS-24IO25 | Side Entry | M25 | MHO-24.25 | | | |
| | MQDS-24IO32 | | M32 | MHO-24.32 | | | |
| | MQDS-24IOA40 | | M40 | MAO-24.40 | | | |

Each kit includes the base housing, male insert, female insert and hood. Hoods shown have metric entry (M25, M32, M40). PG & NPT threads also available. Cable gland sold separately.

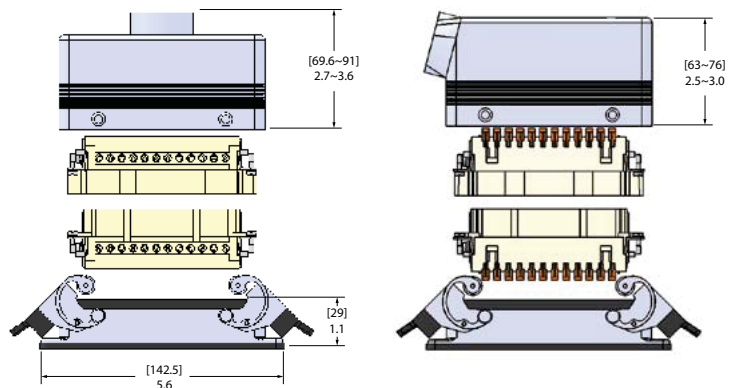
Specifications:

- Connections: Screw Terminal
 AWG: 20 - 12 AWG
- Connections: Squich (Tool-less Spring)
 AWG: 26 - 14 AWG
- Other Approvals: NEMA 4/4X/12



Surface Mount Base

For surface mount base replace 'I' with 'P'.
 (e.g. MNDS-24IV25 becomes MNDS-24PV25)



**Top Entry
Screw Terminal Inserts**

**Side Entry
Squich Inserts**



Rectangular Connector Kits

3 & 4 Pole Kits, Thermoplastic Housing

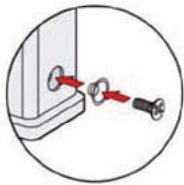


Size 21.21 | 3 & 4 Pole | 600V, 10A | Thermoplastic Housing | Single Lever | IP66/67 Rating



| Screw Terminal Inserts, Single Lever | | | | | | | |
|---|--------------|------------|---------------|---------|-------------|---------------|--------|
| # of Poles | Kit Part # | Entry Type | Entry Threads | Hood | Male Insert | Female Insert | Base |
| 3 + | KMNLT-03IV20 | Top Entry | M20 | MK-V20 | CKM-03 | CKF-03 | CK-03I |
| | KMNLT-03IO20 | Side Entry | M20 | MK-VA20 | CKM-03 | CKF-03 | CK-03I |
| 4 + | KMNLT-04IV20 | Top Entry | M20 | MK-V20 | CKM-04 | CKF-04 | CK-03I |
| | KMNLT-04IO20 | Side Entry | M20 | MK-VA20 | CKM-04 | CKF-04 | CK-03I |
| Squich (Tool-less Spring) Inserts, Single Lever | | | | | | | |
| 3 + | KMQLT-03IV20 | Top Entry | M20 | MK-V20 | CKSHM-03 | CKSHF-03 | CK-03I |
| | KMQLT-03IO20 | Side Entry | M20 | MK-VA20 | CKSHM-03 | CKSHF-03 | CK-03I |
| 4 + | KMQLT-04IV20 | Top Entry | M20 | MK-V20 | CKSHM-04 | CKSHF-04 | CK-03I |
| | KMQLT-04IO20 | Side Entry | M20 | MK-VA20 | CKSHM-04 | CKSHF-04 | CK-03I |

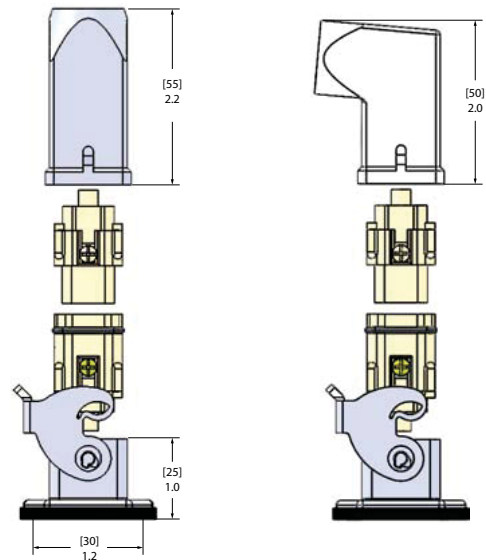
Each kit includes the base housing, male insert, female insert and hood. Hoods shown have M20 metric entry. PG & NPT threads also available. Cable gland sold separately. The 3 and 4 pole kits also include an optional washer kit as described below.



To obtain the protection rating IP66/IP67 a kit is provided that includes a screw and washer. The fixing screws supplied with the inserts must be removed and discarded and the new screw and washer must be installed (see illustration).

Specifications:

AWG: 26 - 14 AWG
 Other Approvals: NEMA 4/4X/12
 IP rating: IP 66/67 (IP 44 without optional washer)



Top Entry

Side Entry



Rectangular Connector Kits

6 Pole Kits, Thermoplastic Housing



Size 44.27 | 6 Pole | 600V, 16A | Thermoplastic Housing | Single Lever | IP65 Rating



| Screw Terminal Inserts, Single Lever | | | | | | | |
|---|--------------|------------|---------------|------------|-------------|---------------|----------|
| # of Poles | Kit Part # | Entry Type | Entry Threads | Hood | Male Insert | Female Insert | Base |
| 6 | MNLT-06IVA25 | Top Entry | M25 | TMAV-06L25 | CNEM-06T | CNEF-06T | TCHI-06L |
| | MNLT-06IVA32 | | M32 | TMAV-06L32 | | | |
| | MNLT-06IOA25 | Side Entry | M25 | TMAO-06L25 | | | |
| | MNLT-06IOA32 | | M32 | TMAO-06L32 | | | |
| Squich (Tool-less Spring) Inserts, Single Lever | | | | | | | |
| 6 | MQLT-06IVA25 | Top Entry | M25 | TMAV-06L25 | CSHM-06 | CSHF-06 | TCHI-06L |
| | MQLT-06IVA32 | | M32 | TMAV-06L32 | | | |
| | MQLT-06IOA25 | Side Entry | M25 | TMAO-06L25 | | | |
| | MQLT-06IOA32 | | M32 | TMAO-06L32 | | | |

Each kit includes the base housing, male insert, female insert and hood. Hoods shown have metric entry (M25, M32).

Specifications:

Connections: Screw Terminal
AWG: 20 - 12 AWG

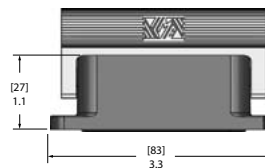
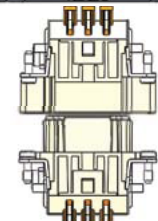
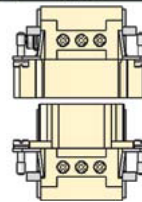
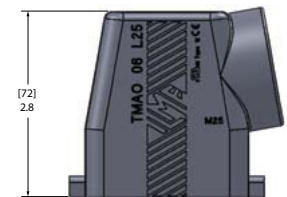
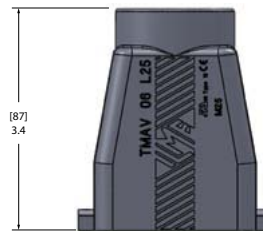
Connections: Squich (Tool-less Spring)
AWG: 26 - 14 AWG

Other Approvals: NEMA 4/4X/12



Surface Mount Base

For surface mount base replace 'I' with 'P'.
(e.g. MNLT-06IVA25 becomes MNLT-06PVA25)



**Top Entry
Screw Terminal Inserts**

**Side Entry
Squich Inserts**



Rectangular Connector Kits

10 Pole Kits, Thermoplastic Housing



Size 57.27 | 10 Pole | 600V, 16A | Thermoplastic Housing | Double Lever | IP65 Rating



| Screw Terminal Inserts, Double Lever | | | | | | | |
|---|--------------|------------|---------------|------------|-------------|---------------|---------|
| # of Poles | Kit Part # | Entry Type | Entry Threads | Hood | Male Insert | Female Insert | Base |
| 10 | MNDT-10IVA25 | Top Entry | M25 | TMAV-10.25 | CNEM-10T | CNEF-10T | TCHI-10 |
| | MNDT-10IVA32 | | M32 | TMAV-10.32 | | | |
| | MNDT-10IOA25 | Side Entry | M25 | TMAO-10.25 | | | |
| | MNDT-10IOA32 | | M32 | TMAO-10.32 | | | |
| Squich (Tool-less Spring) Inserts, Double Lever | | | | | | | |
| 10 | MQDT-10IVA25 | Top Entry | M25 | TMAV-10.25 | CSHM-10 | CSHF-10 | TCHI-10 |
| | MQDT-10IVA32 | | M32 | TMAV-10.32 | | | |
| | MQDT-10IOA25 | Side Entry | M25 | TMAO-10.25 | | | |
| | MQDT-10IOA32 | | M32 | TMAO-10.32 | | | |

Each kit includes the base housing, male insert, female insert and hood. Hoods shown have metric entry (M25, M32).

Specifications:

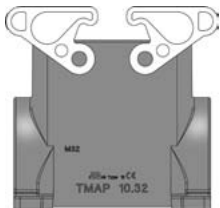
Connections: Screw Terminal

AWG: 20 - 12 AWG

Connections: Squich (Tool-less Spring)

AWG: 26 - 14 AWG

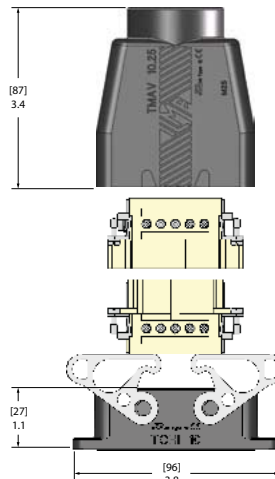
Other Approvals: NEMA 4/4X/12



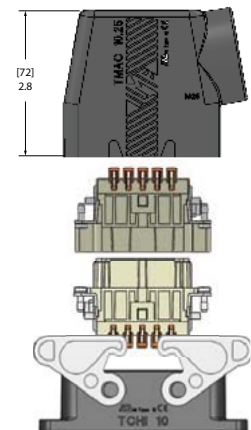
Surface Mount Base

For surface mount base replace 'I' with 'P'.

(e.g. MNDT-10IVA25 becomes MNDT-10PVA25)



**Top Entry
Screw Terminal Inserts**



**Side Entry
Squich Inserts**



Rectangular Connector Kits

16 Pole Kits, Thermoplastic Housing



Size 77.27 | 16 Pole | 600V, 16A | Thermoplastic Housing | Double Lever | IP65 Rating



| Screw Terminal Inserts, Double Lever | | | | | | | |
|---|--------------|------------|---------------|------------|-------------|---------------|---------|
| # of Poles | Kit Part # | Entry Type | Entry Threads | Hood | Male Insert | Female Insert | Base |
| 16 | MNDT-16IVA32 | Top Entry | M32 | TMAV-16.32 | CNEM-16T | CNEF-16T | TCHI-16 |
| | MNDT-16IVA40 | | M40 | TMAV-16.40 | | | |
| | MNDT-16IOA32 | Side Entry | M32 | TMAO-16.32 | | | |
| | MNDT-16IOA40 | | M40 | TMAO-16.40 | | | |
| Squich (Tool-less Spring) Inserts, Double Lever | | | | | | | |
| 16 | MQDT-16IVA32 | Top Entry | M32 | TMAV-16.32 | CSHM-16 | CSHF-16 | TCHI-16 |
| | MQDT-16IVA40 | | M40 | TMAV-16.40 | | | |
| | MQDT-16IOA32 | Side Entry | M32 | TMAO-16.32 | | | |
| | MQDT-16IOA40 | | M40 | TMAO-16.40 | | | |

Each kit includes the base housing, male insert, female insert and hood. Hoods shown have metric entry (M25, M32, M40).

Specifications:

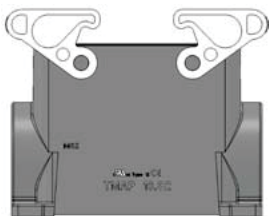
Connections: Screw Terminal

AWG: 20 - 12 AWG

Connections: Squich (Tool-less Spring)

AWG: 26 - 14 AWG

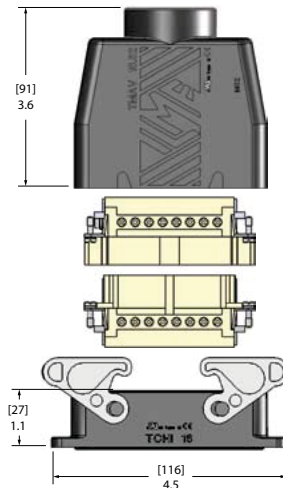
Other Approvals: NEMA 4/4X/12



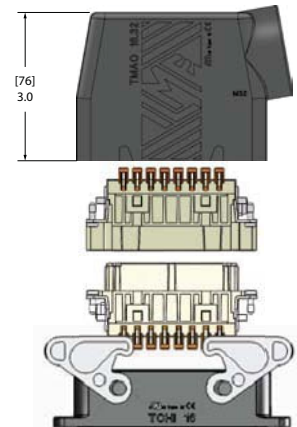
Surface Mount Base

For surface mount base replace 'I' with 'P'.

(e.g. MNDT-16IVA32 becomes MNDT-16PVA32)



Top Entry
Screw Terminal Inserts



Side Entry
Squich Inserts



Rectangular Connector Kits

24 Pole Kits, Thermoplastic Housing



Size 104.27 | 24 Pole | 600V, 16A | Thermoplastic Housing | Single Lever | IP65 Rating



| Screw Terminal Inserts, Double Lever | | | | | | | |
|---|--------------|------------|---------------|------------|-------------|---------------|---------|
| # of Poles | Kit Part # | Entry Type | Entry Threads | Hood | Male Insert | Female Insert | Base |
| 24 | MNDT-24IVA32 | Top Entry | M32 | TMAV-24.32 | CNEM-24T | CNEF-24T | TCHI-24 |
| | MNDT-24IVA40 | | M40 | TMAV-24.40 | | | |
| | MNDT-24IOA32 | Side Entry | M32 | TMAO-24.32 | | | |
| | MNDT-24IOA40 | | M40 | TMAO-24.40 | | | |
| Squich (Tool-less Spring) Inserts, Double Lever | | | | | | | |
| 24 | MQDT-24IVA32 | Top Entry | M32 | TMAV-24.32 | CSHM-24 | CSHF-24 | TCHI-24 |
| | MQDT-24IVA40 | | M40 | TMAV-24.40 | | | |
| | MQDT-24IOA32 | Side Entry | M32 | TMAO-24.32 | | | |
| | MQDT-24IOA40 | | M40 | TMAO-24.40 | | | |

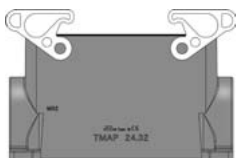
Each kit includes the base housing, male insert, female insert and hood. Hoods shown have metric entry (M32, M40).

Specifications:

Connections: Screw Terminal
AWG: 20 - 12 AWG

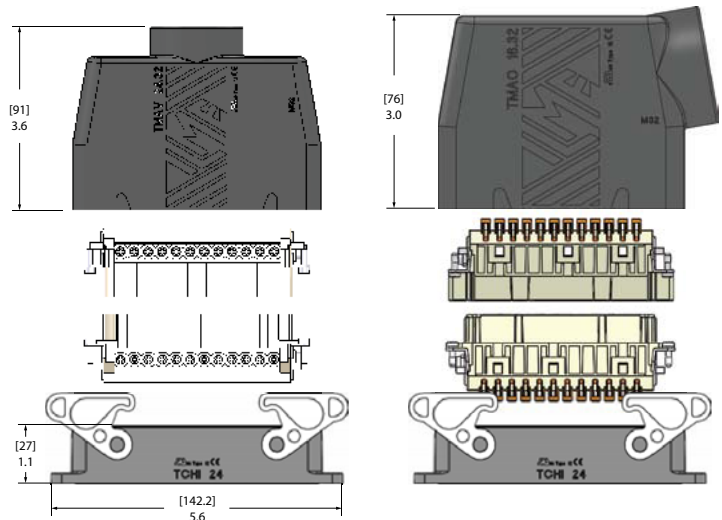
Connections: Squich (Tool-less Spring)
AWG: 26 - 14 AWG

Other Approvals: NEMA 4/4X/12



Surface Mount Base

For surface mount base replace 'I' with 'P'.
(e.g. MNDT-25IVA32 becomes MNDT-25PVA32)



Top Entry
Screw Terminal Inserts

Side Entry
Squich Inserts



Pre-Wired Rectangular Receptacles

Pre-Wired Rectangular Receptacles Part Number Matrix



Not all options available with all components - Please consult factory

IR - - -

Housing Type

- C = Standard Metal Base (CHI)
- Z = II-BRID Base (CZI)
- P = Surface Mount Base (CHP)
- K = Size 21.21 Thermoplastic Base (CK)
- T = T-Type Thermoplastic Base (TCHI)

Lengths in Meter

- 003 = 0.3m
- 006 = 0.6m
- 010 = 1m
- 020 = 2m

Lever Type

- L = Single Lever
- D = Double Lever
- C = Center Lever
- S = Single Lever with Cover

Cable Color

- 0 = Black
- 1 = Brown
- 2 = Red
- 3 = Orange
- 4 = Yellow
- 5 = Green
- 6 = Blue
- 7 = Violet
- 8 = Gray
- 9 = White

Number of Conductors

- 6
- 10
- 16
- 24

More pole configurations are available, please consult the factory.

Wire AWG

- 14 = 14 AWG
- 16 = 16 AWG
- 18 = 18 AWG

Termination Type

- N = Standard Squich/Screw Terminal
- D = Crimp
- H = High-Density Crimp
- J = JEI Squich/Screw Terminal

Connector Configuration

- M = Male Receptacle
- F = Female Receptacle



Pre-Wired Rectangular Receptacles

6 & 10 Conductor Pre-Wired Rectangular Receptacles



6 & 10 Pole | 600V, 16A | Metal Housing | IP66 Rating

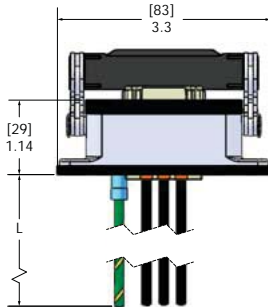


| # of Poles | Lever Type | Rating | Wire AWG | Male Receptacle | Female Receptacle |
|------------|--------------|-------------|----------|------------------|-------------------|
| 6 + | Single Lever | 600V 16A | 14 | IRCL-06NM-140-** | IRCL-06NF-140-** |
| | | | 16 | IRCL-06NM-160-** | IRCL-06NF-160-** |
| 10 + | Single Lever | 600V 16A | 14 | IRCL-10NM-140-** | IRCL-10NF-140-** |
| | | | 16 | IRCL-10NM-160-** | IRCL-10NF-160-** |
| | Double Lever | 600V 16A | 14 | IRCD-10NM-140-** | IRCD-10NF-140-** |
| | | | 16 | IRCD-10NM-160-** | IRCD-10NF-160-** |

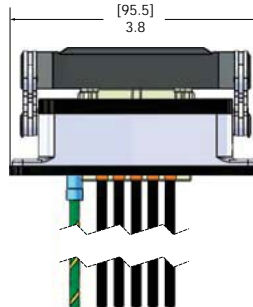
** Length in meters. Longer lead length are available, consult the factory for part numbers.

All black wires are numbered with the corresponding contact number.

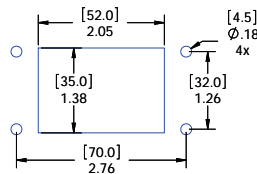
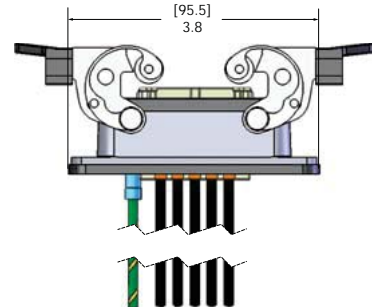
6 Pole Single Lever



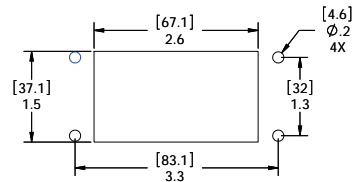
10 Pole Single Lever



10 Pole Double Lever



6 Pole Cutout



10 Pole Cutout

Specifications:

- Base : Epoxy Coated Die-Cast Aluminum
- Lever: Stainless Steel & Nylon
- Gasket: Thermoplastic
- Insert: PolyCarbonate
- Contacts: Silver Plated Copper Alloy
- Wires: Black 14/16 AWG (2.5 sqmm) UL Style 1015 MTW



Pre-Wired Rectangular Receptacles

16 & 24 Conductor Pre-Wired Rectangular Receptacles



16 & 24 Pole | 600V, 16A | Metal Housing | IP66 Rating



| # of Poles | Lever Type | Rating | Wire AWG | Male Receptacle | Female Receptacle |
|------------|--------------|-------------|----------|------------------|-------------------|
| 16 + ⊕ | Single Lever | 600V 16A | 14 | IRCL-16NM-140-** | IRCL-16NF-140-** |
| | | | 16 | IRCL-16NM-160-** | IRCL-16NF-160-** |
| | Double Lever | 600V 16A | 14 | IRCD-16NM-140-** | IRCD-16NF-140-** |
| | | | 16 | IRCD-16NM-160-** | IRCD-16NF-160-** |
| 24 + ⊕ | Single Lever | 600V 16A | 14 | IRCL-24NM-140-** | IRCL-24NF-140-** |
| | | | 16 | IRCL-24NM-160-** | IRCL-24NF-160-** |
| | Double Lever | 600V 16A | 14 | IRCD-24NM-140-** | IRCD-24NF-140-** |
| | | | 16 | IRCD-24NM-160-** | IRCD-24NF-160-** |

** Length in meters. Longer lead length are available, consult the factory for part numbers.

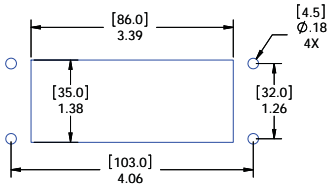
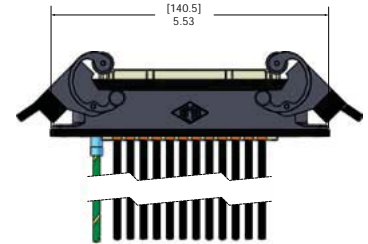
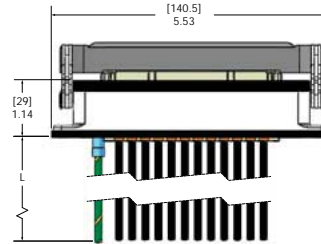
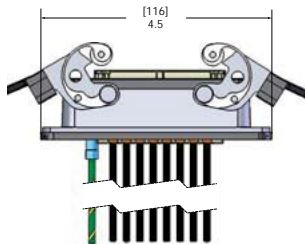
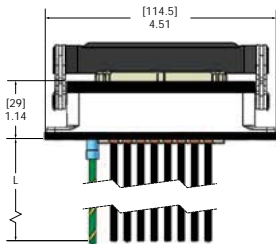
All black wires are numbered with the corresponding contact number.

16 Pole Single Lever

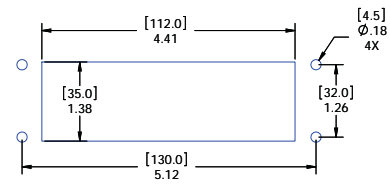
16 Pole Double Lever

24 Pole Single Lever

24 Pole Double Lever



16 Pole Cutout



24 Pole Cutout

Specifications:

- Base : Epoxy Coated Die-Cast Aluminum
- Lever: Stainless Steel & Nylon
- Gasket: Thermoplastic
- Insert: PolyCarbonate
- Contacts: Silver Plated Copper Alloy
- Wires: Black 14/16 AWG (2.5 sqmm) UL Style 1015 MTW



Cable Glands

Metric Threads Cable Glands



Standard Brass Cable Glands | Metric Threads | IP68/IP69K Rating



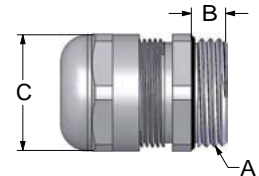
| Part Number | UL Rating | IP Rating | Diameter Range (mm) | A Mounting Hole Clearance (mm) | B Thread Length (mm) | C Wrench Flats (mm) | Thread Type |
|-------------|---------------|-----------|---------------------|--------------------------------|----------------------|---------------------|-------------|
| MCG-M06*** | N/A | IP68 | 2 - 3.2 | 6.2 | 6 | 8 | M6 x 1.0 |
| MCG-M08*** | N/A | IP68 | 3 - 5 | 8.2 | 4 | 11 | M8 x 1.25 |
| MCG-M12 | UL Recognized | IP69K | 3 - 6 | 12.2 | 5 | 14 | M12 x 1.5 |
| MCG-M16 | UL Recognized | IP69K | 3 - 9 | 16.2 | 5 | 17 | M16 x 1.5 |
| MCG-M20 | UL Recognized | IP69K | 5 - 13 | 20.2 | 6 | 22 | M20 x 1.5 |
| MCG-M25 | UL Recognized | IP69K | 8 - 16 | 25.2 | 7 | 27 | M25 x 1.5 |
| MCG-M32 | UL Recognized | IP68 | 12 - 21 | 32.2 | 8 | 34 | M32 x 1.5 |
| MCG-M40 | UL Recognized | IP68 | 16 - 27 | 40.2 | 8 | 43 | M40 x 1.5 |
| MCG-M50 | UL Recognized | IP69K | 21 - 35 | 50.2 | 9 | 55 | M50 x 1.5 |
| MCG-M63 | UL Recognized | IP69K | 27-48 | 63.2 | 10 | 65 | M63 x 1.5 |

*** MCG-M06 & MCG-M08 are not supplied with jam nuts. Nuts are not available for these cable glands.

M12 through M32 are also available in Stainless steel. Add "SS" to the part number (e.g. MCG-M12-SS). Stainless steel glands do not come with jam nuts.

Mencom Cable Glands are easy to use and provide a good strain relief and water tight seal for round cables. The cable glands are rated up to IP 68 (comparable to NEMA 6P). The glands have a wide clamping range.

A Locking Nut and an O-Ring are supplied on all Metric threaded Metal Cable Glands, except where noted.



Materials:

Body: Nickel Plated Brass

Insert: Polyamide

Seal: Neoprene

O-Ring: BUNA-N



Cable Glands

Metric Threads Cable Glands



Standard Plastic Cable Glands | Metric Threads | IP68 Rating



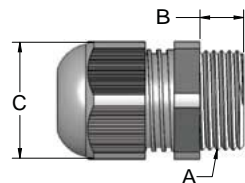
| Part Number | | UL Rating | Diameter Range (mm) | A Mounting Hole Clearance (mm) | B Thread Length (mm) | C Wrench Flats (mm) | Thread Type |
|-------------|------------|---------------|---------------------|--------------------------------|----------------------|---------------------|-------------|
| Gray | Black | | | | | | |
| PCG-M12R | PCG-M12R-B | N/A | 2 - 5 | 12.2 | 8 | 15 | M12 x 1.5 |
| PCG-M12 | PCG-M12-B | UL Recognized | 3 - 6.5 | 12.2 | 8 | 15 | M12 x 1.5 |
| PCG-M16R | PCG-M16R-B | N/A | 3 - 7 | 16.2 | 8 | 22 | M16 x 1.5 |
| PCG-M16 | PCG-M16-B | UL Recognized | 5 - 10 | 16.2 | 8 | 22 | M16 x 1.5 |
| PCG-M20R | PCG-M20R-B | UL Recognized | 5 - 9 | 20.2 | 8 | 24 | M20 x 1.5 |
| PCG-M20 | PCG-M20-B | UL Listed | 10 - 14 | 20.2 | 8 | 24 | M20 x 1.5 |
| PCG-M25R | PCG-M25R-B | N/A | 9 - 16 | 25.2 | 8 | 33 | M25 x 1.5 |
| PCG-M25 | PCG-M25-B | UL Recognized | 13 - 18 | 25.2 | 8 | 33 | M25 x 1.5 |
| PCG-M32R | PCG-M32R-B | UL Listed | 12 - 20 | 32.2 | 10 | 42 | M32 x 1.5 |
| PCG-M32 | PCG-M32-B | UL Listed | 18 - 25 | 32.2 | 10 | 42 | M32 x 1.5 |
| PCG-M40R | PCG-M40R-B | UL Listed | 20 - 26 | 40.2 | 10 | 53 | M40 x 1.5 |
| PCG-M40 | PCG-M40-B | UL Listed | 22 - 32 | 40.2 | 10 | 53 | M40 x 1.5 |
| PCG-M50R | PCG-M50R-B | UL Listed | 25 - 31 | 50.2 | 12 | 60 | M50 x 1.5 |
| PCG-M50 | PCG-M50-B | UL Listed | 30 - 38 | 50.2 | 12 | 60 | M50 x 1.5 |
| PCG-M63R | PCG-M63R-B | UL Listed | 29 - 35 | 63.2 | 12 | 65 | M63 x 1.5 |
| PCG-M63 | PCG-M63-B | UL Listed | 34 - 44 | 63.2 | 12 | 65 | M63 x 1.5 |

The Flex Style Version of UL recognized & UL listed parts are also UL recognized and UL listed.

For the flex style version, add "S" to the part number (e.g. PCG-M25-BS). Flex styles are not available on the PCG-M32 to PCG-M63 versions.

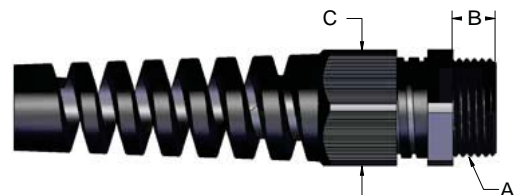
Mencom Cable Glands are easy to use and provide a good strain relief and water tight seal for round cables. The cable glands are rated up to IP 68-5 Bar (comparable to NEMA 6P). The glands have a wide clamping range.

A Locking Nut is supplied on all Metric threaded parts. O-Rings are not required to maintain a seal on any sizes smaller than M32. An O-Ring is supplied on size M32 and larger.



Materials:

Body: Polyamide
Seal: Neoprene





Cable Glands

Metric Threads Cable Glands



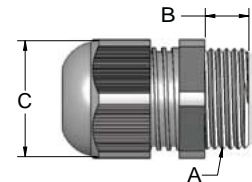
Dual Grommet Plastic Cable Glands | Metric Threads | IP68 Rating



| Part Number | | UL Rating | Diameter Range (mm) | A Mounting Hole Clearance (mm) | B Thread Length (mm) | C Wrench Flats (mm) | Thread Type |
|-------------|------------|---------------|---------------------|--------------------------------|----------------------|---------------------|-------------|
| Gray | Black | | | | | | |
| PCGU-M12 | PCGU-M12-B | UL Recognized | 2 - 5 | 12.2 | 8 | 15 | M12 X 1.5 |
| PCGU-M16 | PCGU-M16-B | UL Recognized | 3 - 10 | 16.2 | 8 | 20 | M16 X 1.5 |
| PCGU-M20 | PCGU-M20-B | UL Recognized | 5 - 13 | 20.2 | 8 | 24 | M20 X 1.5 |
| PCGU-M25 | PCGU-M25-B | UL Recognized | 8 - 17 | 25.2 | 8 | 29 | M25 X 1.5 |
| PCGU-M32 | PCGU-M32-B | UL Recognized | 12 - 21 | 32.2 | 10 | 36 | M32 X 1.5 |
| PCGU-M40 | PCGU-M40-B | UL Recognized | 16 - 28 | 40.2 | 10 | 46 | M40 X 1.5 |
| PCGU-M50 | PCGU-M50-B | UL Recognized | 21 - 35 | 50.2 | 12 | 55 | M50 X 1.5 |
| PCGU-M63 | PCGU-M63-B | N/A | 27 - 48 | 63.2 | 12 | 68 | M63 X 1.5 |

These Cable Glands have a dual grommet system that allows for a much wider range in diameter than the standard plastic cable glands. Cables that are in the lower part of the diameter range will fit into the cable gland without any change. For cables that are in the upper part of the diameter range, the dome nut is removed and the seals are removed. Separate the inner seal from the outer seal into the cable gland and then put the outer seal back in place. It is now ready for use with the larger cable.

A Locking Nut is supplied on all Metric threaded parts. An O-Ring is not needed on any sizes smaller than M32. An O-Ring is supplied on size M32 and larger.



Materials:

Body: Polyamide

Seal: Neoprene



Cable Glands

Metric Threads Cable Glands



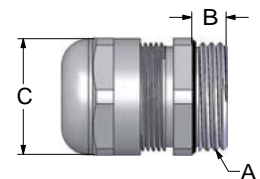
EMI Shielding Brass Cable Glands | Metric Threads | IP68/IP69K Rating



| Part Number | UL Rating | IP Rating | Diameter Range (mm) | A Mounting Hole Clearance (mm) | B Thread Length (mm) | C Wrench Flats (mm) | Thread Type |
|-------------|---------------|-----------|---------------------|--------------------------------|----------------------|---------------------|-------------|
| MCGB-M12 | UL Recognized | IP69K | 3 - 6 | 12.2 | 5 | 14 | M12 x 1.5 |
| MCGB-M12L | UL Recognized | IP69K | 3 - 6 | 12.2 | 10 | 14 | M12 x 1.5 |
| MCGB-M16 | UL Recognized | IP69K | 3 - 9 | 16.2 | 5 | 17 | M16 x 1.5 |
| MCGB-M16L | UL Recognized | IP69K | 3 - 9 | 16.2 | 10 | 17 | M16 x 1.5 |
| MCGB-M20 | UL Recognized | IP69K | 5 - 13 | 20.2 | 6 | 22 | M20 x 1.5 |
| MCGB-M20L | UL Recognized | IP69K | 5 - 13 | 20.2 | 10 | 22 | M20 x 1.5 |
| MCGB-M25 | UL Recognized | IP69K | 8 - 16 | 25.2 | 7 | 27 | M25 x 1.5 |
| MCGB-M25L | UL Recognized | IP69K | 8 - 16 | 25.2 | 11 | 27 | M25 x 1.5 |
| MCGB-M32 | UL Recognized | IP68 | 12 - 21 | 32.2 | 8 | 34 | M32 x 1.5 |
| MCGB-M32L | UL Recognized | IP68 | 12 - 21 | 32.2 | 13 | 34 | M32 x 1.5 |
| MCGB-M40 | UL Recognized | IP68 | 16 - 27 | 40.2 | 8 | 43 | M40 x 1.5 |
| MCGB-M40L | UL Recognized | IP68 | 16 - 27 | 40.2 | 13 | 43 | M40 x 1.5 |
| MCGB-M50 | UL Recognized | IP69K | 21 - 35 | 50.2 | 9 | 55 | M50 x 1.5 |
| MCGB-M50L | UL Recognized | IP69K | 21 - 35 | 50.2 | 14 | 55 | M50 x 1.5 |
| MCGB-M63 | UL Recognized | IP69K | 27 - 48 | 63.2 | 10 | 65 | M63 x 1.5 |

Lock Nuts are supplied with all cable glands listed other than MCGB-M12, MCGB-M16 and MCGB-M20. These threads are too short to be used with Lock Nuts.

Mencom EMI Cable Glands provide an easy way to ground the shield from a shielded cable to the body of the metal cable gland. The seal rating is IP 68.



Materials:

Body: Nickel Plated Brass
 Insert: Polyamids
 O-Ring: Neoprene





Cable Glands

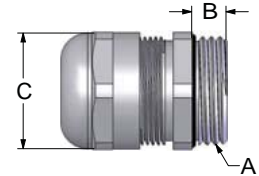
Metric Threads Cable Glands



Explosion-Proof Brass Cable Glands | Metric Threads | IP68 Rating

| Part Number | Diameter Range (mm) | A Mounting Hole Clearance (mm) | B Thread Length (mm) | C Wrench Flats (mm) | Thread Type |
|-------------|---------------------|--------------------------------------|----------------------------|---------------------------|-------------|
| MCSEX-M12 | 3 - 6.5 | 12.2 | 5 | 14 | M12 x 1.5 |
| MCSEX-M16 | 5 - 9 | 16.2 | 5 | 17 | M16 x 1.5 |
| MCSEX-M20 | 6 - 12 | 20.2 | 6 | 22 | M20 x 1.5 |
| MCSEX-M25 | 11 - 16 | 25.2 | 7 | 27 | M25 x 1.5 |
| MCSEX-M32 | 14 - 21 | 32.2 | 8 | 34 | M32 x 1.5 |
| MCSEX-M40 | 19 - 27 | 40.2 | 8 | 43 | M40 x 1.5 |
| MCSEX-M50 | 24 - 35 | 50.2 | 9 | 55 | M50 x 1.5 |
| MCSEX-M63 | 32 - 42 | 63.2 | 10 | 65 | M63 x 1.5 |

These Explosion-Proof Cable Glands are made of Nickel Plated Brass and are for potentially explosive areas according to EN 50014 and EN 50019. The type of protection is EExd e II-increased safety. There is excellent strain relief, a wide clamping range, and a torsion protected plastic insert that is resistant to impact at cold temperatures. Also, the cable glands feature a neoprene sealing insert, the O-Ring seal is BUNA-N, and the permanent ambient temperature is -25°C to +80°C (-13° F to +176°F). Protection type is IP 68 according to EN 60529, E-Generation, certificate of conformity: DMT 99 ATEX E 016. Locking Nuts must be ordered separately.



ATEX 100a

With a view toward further harmonization of the legal provisions in the European Union in respect to the use of equipment and protection systems in accordance with the regulations in areas subject to explosion hazards, the European Parliament and Council passed Directive 94/9/EC on the 23rd of March, 1994. This directive is also known as ATEX 100A. The period for implementing this guideline started on the 1st of March, 1996 and from the 1st of July, 2003 onwards, it will replace and supplement all directives on explosion protection applicable to date at the European level. The single market requires national regulations to be replaced by European Standards (EN).

The ATEX 100A governs the requirements for all (both electrical and non-electrical) equipment and protection systems which are intended for use in areas subject to explosion hazards. Monitoring, control and safety equipment for use outside areas subject to explosion hazards also fall within the provisions of this directive if they are necessary in view of explosion hazards for the safe running of equipment and protection systems.

The explosion-proof cable glands listed in this catalog are produced in Germany and are for use in areas subject to explosion hazards. Such parts are also termed "cable glands and entry fittings" (abbreviated KLE) and "accessories."

EN 50014 defines cable glands and entry fittings as equipment which allows one or several electrical and/or fibre optic cables or wires to be inserted into electrical equipment while retaining the corresponding type of protection.

The explosion-proof KLE items contained in this catalog are suitable for inserting cables and wires into housing of protection type EEx e "increased safety," and EEx i "inherent safety" in Device Groups II and Categories 2 and 3.

For further information on ATEX and European explosion-proof classifications, please consult the factory.

These specifications are not intended to be correlated to or to be a substitution for U.S. Explosion-Proof ratings.



Cable Glands

Metric Threads Cable Glands



Explosion-Proof Plastic Cable Glands | Metric Threads | IP66 Rating

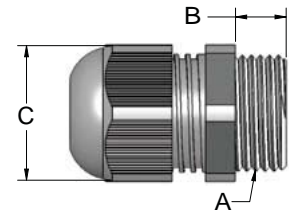
| Part Number | Color | Diameter Range (mm) | A Mounting Hole Clearance (mm) | B Thread Length (mm) | C Wrench Flats (mm) | Thread Type |
|--------------|-------|---------------------|--------------------------------|----------------------|---------------------|-------------|
| PCGEX-M12-B | Black | 4 - 7 | 12.2 | 8 | 15 | M12 x 1.5 |
| PCGEX-M12L-B | Black | 4 - 7 | 12.2 | 12 | 15 | M12 x 1.5 |
| PCGEX-M16-B | Black | 5.5 - 10 | 16.2 | 8 | 20 | M16 x 1.5 |
| PCGEX-M16L-B | Black | 5.5 - 10 | 16.2 | 12 | 20 | M16 x 1.5 |
| PCGEX-M20-B | Black | 5.5 - 13 | 20.2 | 8 | 24 | M20 x 1.5 |
| PCGEX-M20L-B | Black | 5.5 - 13 | 20.2 | 13 | 24 | M20 x 1.5 |
| PCGEX-M25-B | Black | 8 - 17 | 25.2 | 8 | 29 | M25 x 1.5 |
| PCGEX-M25L-B | Black | 8 - 17 | 25.2 | 13 | 29 | M25 x 1.5 |
| PCGEX-M32-B | Black | 12 - 21 | 32.2 | 10 | 36 | M32 x 1.5 |
| PCGEX-M40-B | Black | 17 - 28 | 40.2 | 10 | 46 | M40 x 1.5 |
| PCGEX-M50-B | Black | 22 - 35 | 50.2 | 12 | 55 | M50 x 1.5 |
| PCGEX-M63-B | Black | 27 - 48 | 63.2 | 12 | 68 | M63 x 1.5 |

Intrinsically safe explosion proof versions are also available, please consult the factory.
 Protection type EExd e II is a standard European classification.
 These specifications are NOT intended to be correlated to or to be a substitution for U.S. Explosion-Proof ratings.

Type of protection EExd e II- increased safety. Permanent ambient temperature -50°C to +55°C (-58°F to +131°F). Protection type is IP 66 according to EN 60529. Certificate of conformity: PTB-No. Ex-92-C.3142; PTB-No. Ex-92.C3108X (M12 & M16).

Locking Nuts must be ordered separately.

Materials: ALCRYM





Cable Glands Accessories

Metric Threads Cable Gland Nuts



Nuts | Plastic | Metal | PG Threads

| Metal Nuts | | | | | |
|---------------------|-----------------|--------|--------|-------------|---|
| Part Number | | A (mm) | B (mm) | Thread Type | Style |
| Nickel Plated Brass | Stainless Steel | | | | |
| 2M12M | 2M12M-SS | 15 | 2.8 | M12 x 1.5 | <p>Materials: Nickel Plated Brass/ Stainless Steel</p> |
| 2M16M | 2M16M-SS | 19 | 2.8 | M16 x 1.5 | |
| 2M20M | 2M20M-SS | 24 | 3 | M20 x 1.5 | |
| 2M25M | 2M25M-SS | 30 | 3.5 | M25 x 1.5 | |
| 2M32M | 2M32M-SS | 36 | 4 | M32 x 1.5 | |
| 2M40M | 2M40M-SS | 46 | 5 | M40 x 1.5 | |
| 2M50M | 2M50MPOT-SS | 60 | 5 | M50 x 1.5 | |
| 2M63M | 2M63MPOT-SS | 70 | 6 | M63 x 1.5 | |

| Plastic Nuts | | | | | |
|--------------|----------|--------|--------|-------------|------------------------------------|
| Part Number | | A (mm) | B (mm) | Thread Type | Style |
| Gray | Black | | | | |
| 2M12PA | 2M12PASW | 17 | 5 | M12 x 1.5 | <p>Materials: Polyamide</p> |
| 2M16PA | 2M16PASW | 22 | 5 | M16 x 1.5 | |
| 2M20PA | 2M20PASW | 27 | 6 | M20 x 1.5 | |
| 2M25PA | 2M25PASW | 32 | 6 | M25 x 1.5 | |
| 2M32PA | 2M32PASW | 41 | 7 | M32 x 1.5 | |
| 2M40PA | 2M40PASW | 50 | 7 | M40 x 1.5 | |
| 2M50PA | 2M50PASW | 60 | 8 | M50 x 1.5 | |
| 2M63PA | 2M63PASW | 75 | 8 | M63 x 1.5 | |

| Cutting Metal Nuts | | | | | |
|--------------------|--------|--------|-------------|--|--|
| Part Number | A (mm) | B (mm) | Thread Type | Style | |
| 2M12MPOT | 15 | 2.8 | M12 x 1.5 | <p>Materials: Nickel Plated Brass</p> | |
| 2M16MPOT | 19 | 2.8 | M16 x 1.5 | | |
| 2M20MPOT | 24 | 3 | M20 x 1.5 | | |
| 2M25MPOT | 30 | 3.5 | M25 x 1.5 | | |
| 2M32MPOT | 36 | 4 | M32 x 1.5 | | |
| 2M40MPOT | 46 | 5 | M40 x 1.5 | | |
| 2M50MPOT | 60 | 5 | M50 x 1.5 | | |
| 2M63MPOT | 70 | 6 | M63 x 1.5 | | |



Rectangular Connector Kits

Designed to reduce labor time & costs associated with the installation

Mount Base | Male/Female Insert | Mating Hoods

This series of connectors was originally designed to handle electrical connections that are subject to harsh (heavy duty) environments. The usage of rectangular connectors has expanded to include applications where multiple lines need to be passed through the control cabinet. In creating a solution it is important to consider your power and signal transmission needs as well as the environmental conditions. The electrical ratings can range from signal level up to 200A for high power requirements. Environmental conditions that may affect the electrical connection chosen include chemicals and other corrosive materials as well as high humidity or wash down. Likewise the frequency of connect/disconnect and general usage may play a role in determining the right connector.

Components to make a complete connection

Enclosures (Hoods & Bases): Enclosures are the combination of the base housing and the hood. The principal parts are made of a die cast aluminium alloy with a coating of epoxy-polyester powdercoat. They are resistant to impacts and strong mechanical stress. The coupling stability and protection against accidental opening are assured by single or double-closing devices comprised of stainless steel levers, springs, and pegs. Sealing is assured by special gaskets that protect the contact groups inside the enclosure against dust & water. The first two features to look at when selecting your hood and base are housing size (10 pole, 16 pole, etc.) and the position of the cable entry on the hood (top, side). Once these requirements are determined, the lever system can be chosen along with the thread of the cable entry. Mencom offers PG, Metric and NPT thread options.



Inserts: The Insert is the part of the connector that has the contacts. Inserts feature one of two conductor connection techniques: Screw Terminal or Tool-less Spring (aka Squich). These inserts are made of UL certified self-extinguishing fiberglass reinforced thermoplastics and the operating temperature ranges between -40 °C and +125 °C. The contacts are in silver or gold plated brass and they are numbered on both sides for accurate installation.



Cable Glands: Mencom offers a wide variety of cable glands, from small (PG7) to very large (M63). Our line of cable glands includes plastic and metal varieties with NPT, Metric and PG threading. In general, a cable gland is a device that allows the user to pass a cable, wire or tube into an enclosure. The gland provides strain relief and seals out dust, dirt and liquids. Mencom carries a large inventory of cable glands and accessories and most are rated IP68 while others are rated IP68 to 5 bar (underwater up to 5 atmospheres). With so many varieties, cable glands are sold separately from our kits.



APPLICABLE INDUSTRIES

Wherever connections are required for power and signalling circuit



AUTOMATION



ROBOTICS



WIND ENERGY



FOOD & BEVERAGE



THIS CATALOG ALSO INCLUDES...

Pre-Wired Rectangular Receptacles



Cable Glands



Connect With Mencom Corp.



facebook.com/Mencom

twitter.com/mencomconnects

linkedin.com/company/mencom-corporation

youtube.com/MencomConnectors

electricalconnector.wordpress.com



5750 McEver Road Oakwood, GA 30566 | 1-770-534-4585 | www.mencom.com

Copyright © 2018 Mencom Corp. All Rights Reserved.